

ATLAS

gas or oil fired

cast iron floor standing boiler

Export product management

Leader in gas and oil floor standing boilers



Ferrol, according to its position as a comfort multinational, one of the major players at a world level, permanently carries out research and trials on new products, in order to cope in advance with to the continuously evolving expectations of the users and the market.

ATLAS, 3 pass-flue boiler, indeed meets the demand of fuel-thifty and performing generators; without giving up to reliability and simplicity.

This is granted by Ferrol's experience of more than 50 years in casting and production of floor standing boilers

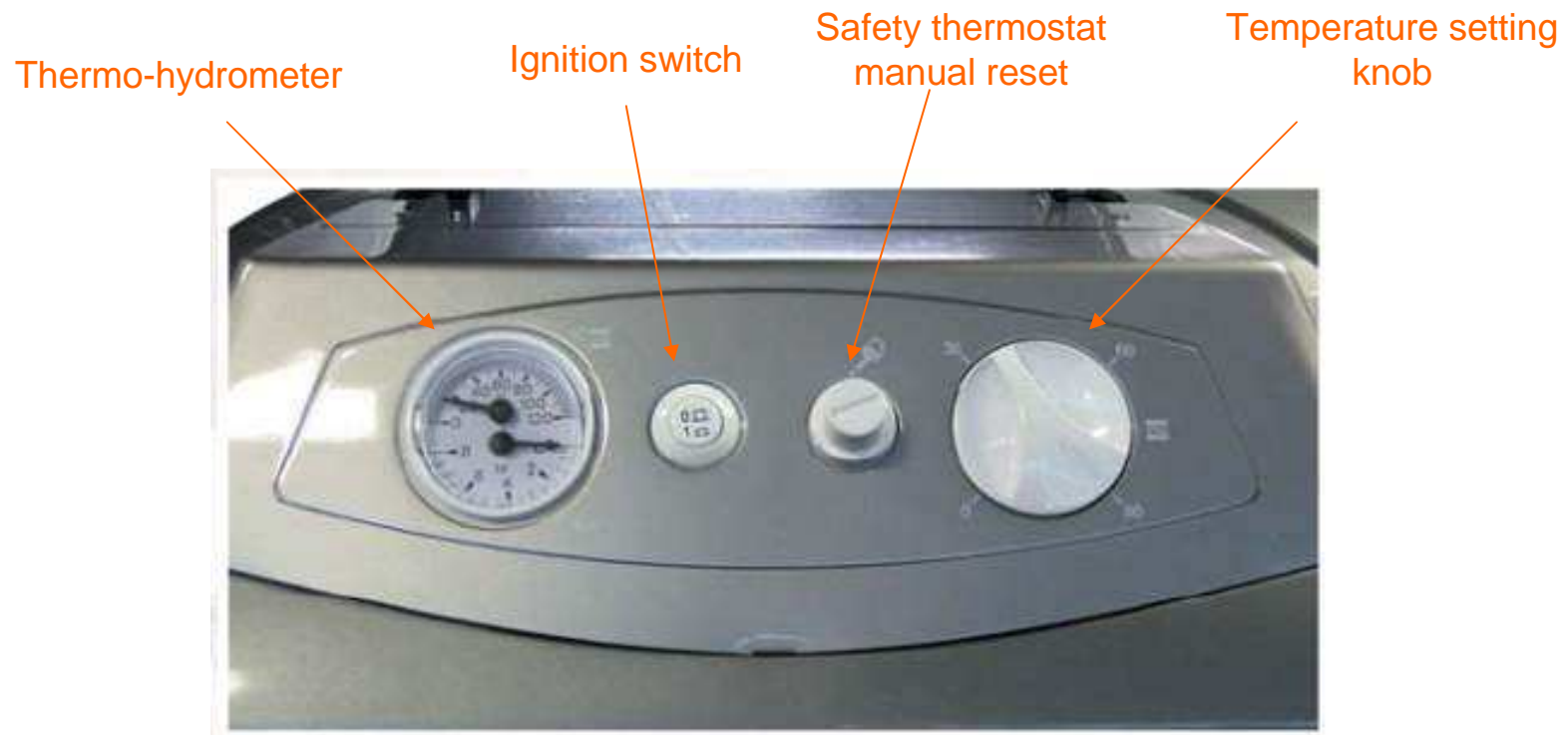


ATLAS is a floor standing only-heating boiler, suitable for connection with an external DHW tank.

The boiler body is built in GG20 cast iron 3 pass sections which ensures low temperature flues outlet, high efficiency and fuel saving.

Control board is also already pre-equipped for the connection of a heating zone controller, CH and DHW circulating pump, room thermostat.

Customer can choose from a complete range of Ferrol gas or oil burners, both one stage and 2 stages, to be quickly installed on the easy-fitting burner door.



MODEL		32	47	62	78	95
Heat output	kW	32	47	62	78	95
Heat input	kW	34.9	51.6	67.7	85.6	103
Heating water content	l	18	23	28	33	38
Efficiency Pmax (80°-60°C)	%	91.7	91.1	91.5	91.1	92
Working pressure in heating	bar	6	6	6	6	6
Empty weight	kg	127	166	205	244	283
Elements	no.	3	4	5	6	7
Index of protection	IP	X0D	X0D	X0D	X0D	X0D

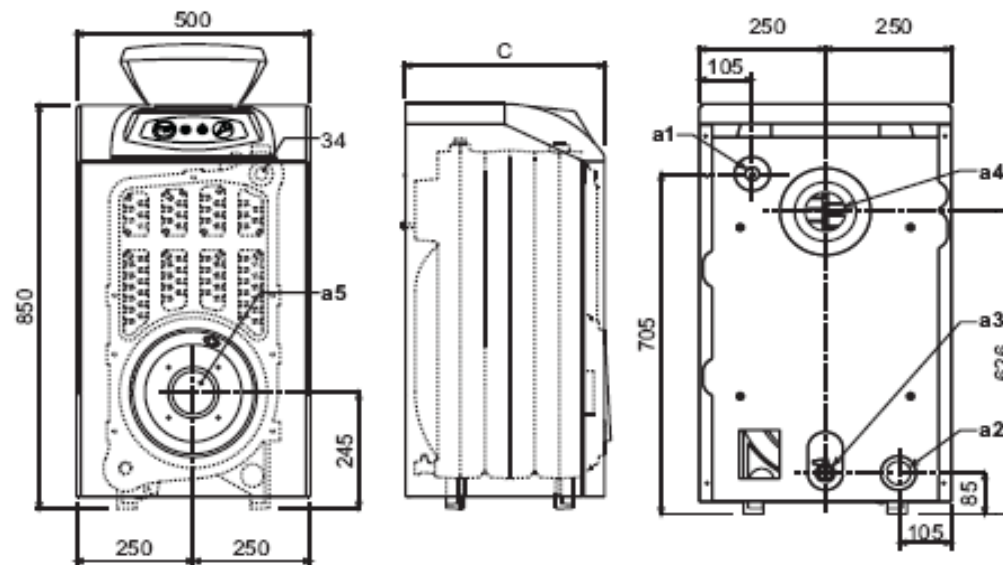


fig. 3 - Dimensions, connections and main components

Model	C mm	a4 Ø mm	a5 Ø mm
ATLAS 32	400	120+130	115
ATLAS 47	500	120+130	115
ATLAS 62	600	120+130	115
ATLAS 78	700	120+130	115
ATLAS 95	800	120+130	115

- a1 System delivery - 1" 1/2"
- a2 System return - 1" 1/2"
- a3 Heating system drain - 1/2"
- a4 Flue connection
- a5 Burner connection
- 34 Safety and heating temperature bulb

Advantages:



- 3 pass-flue boiler body
- silent working thanks to low flues turbulence
- + 1,4 % efficiency
- smart design with fumé control board cover
- compact dimensions;





Ferroli

Half a century as a specialist in HVAC

